

BP13 Series Bench Platform Scales

Specification Sheet
SS-BP13-1206
December 2006

The CHATILLON® BP13 Series bench platform scale features a large, easy-to-read 13-inch (330 mm) dial with knife-edge pointer for accurate measurements. Scales are suitable for H44 Class III "Legal for Trade" applications. Designed for platform use, the BP13 features a rugged cast-iron base with heavy-gauge steel platform for excellent stability. The scale's mounting feet are adjustable. Options include a stainless steel platform, 7-inch (178 mm) deep provisional pan and quick tare knob. Tare adjustments may be made up to 10% of rated capacity. The scale's head cover and column back are removable for easy access to the dial mechanism and the dashpot. Units are shipped assembled.

Features

- ❑ H44 Class III "Legal for Trade" and No Class Models
- ❑ Pound or Kilogram Dials
 - Capacities up to 400 lbs
- ❑ Rugged Cast Iron Base and Heavy-Gauge Steel Construction
- ❑ Large, 13-inch (330 mm) Easy-to-Read Dial with Knife-edge Pointer
- ❑ 1 Year Warranty

Specifications

Accuracy:	<i>See Ordering Information</i>
Maximum Overload:	125% of Rated Capacity
Tare Capacity:	10% of Rated Capacity
Dial Revolutions:	Full Scale in 1 Revolution
Dial Resolution:	100:1
Operating Temperature:	45°F to 100°F (7°C to 38°C)
Weight:	100 lbs (45.5 kg)

BP13 Series with optional Provision Pan (23019)



Ordering

Accuracies - Class III "Legal for Trade"

Model	Resolution	Range	Scale Divisions	Division	Tolerance Weight	%Accurate
BP13-065-T	65 lb x 2 oz	0-62 lb	0-500	+1/2 d	+1 oz	+0.10%
		63-65 lb	501-2000	+1 d	+2 oz	+0.19%
BP13-130-T	130 lb x 4 oz	0-125 lb	0-500	+1/2 d	+2 oz	+0.10%
		126-130 lb	501-2000	+1 d	+4 oz	+0.19%
BP13-260-T	260 lb x 8 oz	0-250 lb	0-500	+1/2 d	+4 oz	+0.10%
		251-260 lb	501-2000	+1 d	+8 oz	+0.19%
BP13-520-T	520 lb x 1 lb	0-500 lb	0-500	+1/2 d	+1/2 lb	+0.10%
		501-520 lb	501-2000	+1 d	+1 lb	+0.19%

Accuracies - No Class

Model	Resolution	Range	Scale Divisions	Division	Tolerance Weight	%Accurate
BP13-025K-T	25 kg x 50 g	0-25 kg	0-500	+1/2 d	+25 g	+0.10%
			501-2000	+1 d	+50 g	+0.20%
BP13-050K-T	50 kg x 100 g	0-50 kg	0-500	+1/2 d	+50 g	+0.10%
			501-2000	+1 d	+100 g	+0.20%
BP13-100K-T	100 kg x 250 g	0-100 kg	0-500	+1/2 d	+125 g	+0.13%
			501-2000	+1 d	+250 g	+0.25%
BP13-200K-T	200 kg x 500 g	0-200 kg	0-500	+1/2 d	+250 g	+0.13%
			501-2000	+1 d	+500 g	+0.25%

Certificate of Conformance No. 88-096A1, Model 13/A and Type 15, was issued under the national Type Evaluation Program of the National Conference on Weights and Measures, that the design conforms to NIST Handbook 44 Class III. The scale is "Legal for Trade" subject to on-site verification by the local Weights and Measures jurisdictions.

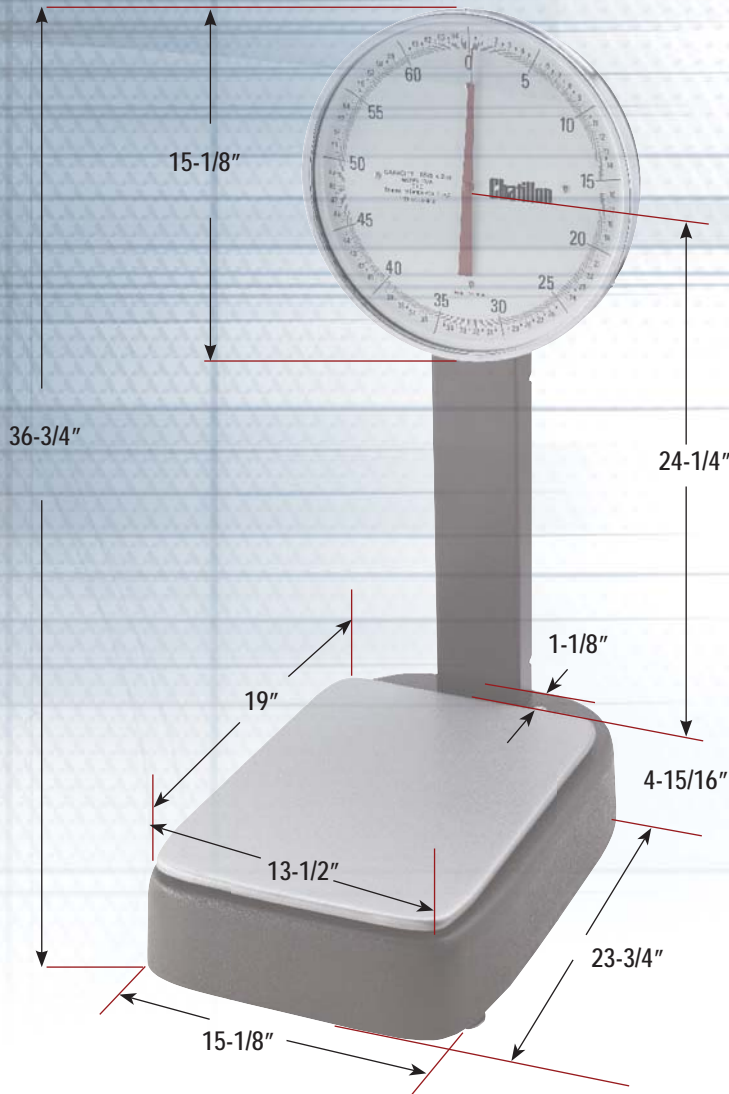
Class III models meet all requirements of NIST Handbook 44 Class III. Usage of Class III scales in trade is limited to certain transactions. Consult your local Office of Weights and Measures for clarification.

Visit Us on the Web at www.chatillon.com



A registered trademark of AMETEK Inc.

Dimensions



Accessories

Part No.	Description
12130-3	Quick Tare Knob
16012	Stainless Steel Platform Cover
23019	Stainless Steel Provision Pan
16005-A	Damping Oil (65 lb, 130 lb, 25 kg, 50 kg)
16005-B	Damping Oil (260 lb, 520 lb, 100 kg, 200 kg)

Notes:

The provision pan weighs approximately 10 lbs. Scales with capacities less than 100 lbs must be back-started.

The Quick Tare Knob cannot be used on Legal for Trade applications.



US GAUGE DIVISION

Americas
AMETEK US Gauge Division
8600 Somerset Drive
Largo, Florida 33773
United States of America
Tel +1-727-536-7831
Tel +1-800-527-9999
Fax +1-727-539-6882
Email chatillon.fl-har@ametek.com

United Kingdom
Lloyd Instruments Ltd.
12 Barnes Wallis Road
Segensworth East
Fareham
Hants, PO15 5TT
United Kingdom
Tel +44 (0) 1489 486 399
Fax +44 (0) 1489 885 118
Email uk-far.general@ametek.co.uk

France
AMETEK S.A.S.
Rond Point de l'Epine des Champs
Buro Plus - Bat. D
78990 Elancourt
France
Tel +33 (0)1 30 68 89 40
Fax +33 (0)1 30 68 89 49
Email general@lloyd-instruments.com

Germany
AMETEK GmbH
Rudolf-Diesel-Strasse 16
D-40670 Meerbusch
Germany
Tel +49 (0)2159 9136-70
Fax +49 (0)2159 9136-39
Email info@ametek.de

Singapore
AMETEK Singapore Pvt. Ltd.
10 Ang Mo Kio Street 65
#05-12 Techpoint
Singapore 569059
Tel +65-484-2388
Fax +65-481-6588
Email aspl@ametek.com.sg

For the authorized Chatillon Distributor or Manufacturer's Representative near you, go to www.chatillon.com

Visit Us on the Worldwide Web at:
www.chatillon.com

© 2006 by AMETEK, Inc.

Information within this document is subject to change without notice.

ISO 9001/2000
Manufacturer