
MSI-4260 Port-A-Weigh

Overhead Crane Scales

Confidential Replacement Parts Price List
Measurement Systems International
Authorized Distributor Use Only

Effective 4/04

Table of Contents

Replacement Parts Price List - Effective 4/04

Measurement Systems International

	Page
Discount, Terms, Conditions and Warranty	3
MSI Exchange Parts for MSI-4260	4
MSI-4260 Port-A-Weigh Front Casting Assembly	5
MSI-4260 Port-A-Weigh Mid-Section Assembly 500 thru 10,000 lb 7	7
MSI-4260 Port-A-Weigh Mid-Section Assembly 20 & 30,000 lb	9
MSI-4260 Port-A-Weigh Mid-Section Assembly 50 & 70,000 lb	11
MSI-4260 Port-A-Weigh Battery Casting Assembly	13
MSI-4260 Port-A-Weigh Battery Charger Assembly	15
MSI-4260 Port-A-Weigh Universal Battery Charger Assembly	17
Shackle Dimensions	19

Discount, Terms, Conditions and Warranty

Replacement Parts Price List - Effective 4/04 Measurement Systems International

Distributor Discount

The standard distributor discount for MSI replacement parts is 25% and applies to all published prices effective April 2004. All orders are subject to final acceptance by MSI. Orders will be accepted from authorized MSI distributors only. A \$35 USD minimum per purchase order applies for all orders placed by authorized distributors with MSI. Prices listed are F.O.B. factory.

Terms and Conditions (Domestic Sales)

Each authorized distributor/dealer shall have submitted an original credit application signed and dated with an authorized officer/owner signature prior to receiving credit privileges with MSI. Credit applications will remain on file and periodically be updated.

New credit applications will be evaluated by the Credit Department and credit limits established based on the applicants credit history.

MSI's standard credit terms are Net 30 Days. A 1.5% interest penalty is applied on any outstanding balance over 60 days late. Accounts 30 days past due are automatically subject to prepayment or C.O.D. terms. Any work in process is put on credit hold until payment and any applicable penalty charges are received. Accounts 60 days past due will result in permanent prepayment or C.O.D. terms.

Domestic Shipments: Unless otherwise specified by dealer/distributor, all domestic shipments up to 150 pounds will be shipped prepaid via UPS and applicable charges will be added to the order invoice. MSI may prepay and add freight charges from other carriers when specified by dealer/distributor. Otherwise, shipments using carriers other than UPS may be shipped *freight collect*.

Returned equipment: Permission must be obtained from MSI before any equipment is returned and shipment must bear the Return Material Authorization (RMA) Number for identification. New equipment returned for credit should be received in resalable condition and is subject to a 15% service charge. MSI reserves the right to deduct for any sustained damage in transit. No deduction for returned equipment is accountable from a remittance until a credit memorandum has been issued by MSI.

Unless otherwise authorized by MSI, all returned equipment will only be accepted when freight has been prepaid.

Order cancellation: MSI will cancel orders for standard equipment at no service charge prior to shipment. A service charge of 15% plus transportation charges will be assessed to orders cancelled after shipment. A service charge for cancellation of custom equipment will be determined on an individual basis.

Exceptions to the above MSI credit policy require written authorization from a Corporate Director and/or Credit Department.

Terms and Conditions (Export Sales)

Export payment terms are by irrevocable Letter of Credit, prepayment or documentary collection depending upon the customer and the residing country. All payments are required in U.S. Dollars.

Export accounts that wish to seek credit terms must submit at least three credit references (preferably in U.S.A.) and a banking reference. Credit issuance will be determined by existing credit standing, level of business with MSI along with the political and economic conditions of the importing country.

Letter of Credit (L/C)

Orders must be covered by an irrevocable commercial Letter of Credit issued by a major bank, payable at sight, incorporating the following

terms and conditions:

Issued in favor of: Measurement Systems International, Inc.
14240 Interurban Avenue South STE 200
Seattle, Washington 98168-4661 U.S.A.

In an amount not to exceed (amount of L/C) U.S. Dollars, FOB Plant, Seattle, Washington.

Advised through: Bank of America
International Trade Operations
800 Fifth Avenue, Floor 31
Seattle, Washington, 98104 USA
SWIFT: BOFAUS6SSEA

Bank of America must be designated as the negotiating bank and must be authorized to reimburse itself for drawings by:

- Debiting the opening bank's account with Bank of America, San Francisco, California.
- Claiming telegraphically on a United States bank.

The L/C is to be payable against the presentation of the following documents:

- Draft drawn on Bank of America "at sight".
- Commercial Invoice.
- Packing List.
- Airway Bill evidencing shipment of the merchandise from Seattle to destination.
- Import permit number, if applicable, noted on the L/C.
- Insurance to be effected by buyer.
- Transshipment and partial shipments allowed. Documents to be presented a minimum of 10 days from Airway Bill date.
- All banking charges other than those of Bank of America are for the buyers account.

The Letter of Credit must be acceptable to MSI before our obligation to the order is considered final.

Payment with Visa/MasterCard is also accepted.

Export Administrative Fees

(Apply with L/C and Documentary Collection term of \$325 USD)



Freight Forwarder

Orders will be shipped whenever possible by a customer specified freight forwarder. When one is not specified, MSI will attempt to ship by the least expensive freight forwarder. By following the above procedures, orders will be processed faster and at less expense. If any other method of shipping and payment is used, the cost of additional export documentation, insurance, freight, etc. will be added to the net selling prices.

Limited Warranty

Warranty Terms are detailed in each operating manual. In general, there is a one year warranty against factory defects on all MSI equipment. Batteries and cables are warranted for 90 days. Warranty repair is to be conducted at the plant unless specifically authorized in writing by MSI. When authorized warranty repair is conducted by the Distributor, the rates paid by MSI are \$35.00 per hour for labor.

MSI Exchange Parts

Replacement Parts/Price List - Effective 4/04

Measurement Systems International

Summarized below are the components eligible for the MSI Exchange Parts program. MSI will invoice the full price of the exchanged part at the time of sale. When the exchange core is received, upon evaluation and acceptance, the core's value will be credited to the Authorized Distributor's account. The serial number of the equipment / scale and a purchase order are required when exchanged parts are ordered. Prices *do not* include shipping charges.

Evaluation Criteria:

The parts returned to MSI for exchange must be received within 30 days, be identical to those shipped and be repairable. If the returned parts are not identical, not repairable or not returned within 30 days, the Authorized Distributor's account will not be credited for the core's value.

Product	List Price	Exchange Price
MSI-4260 Port-A-Weigh:		
Computer/Display PCB set	\$1100.00	\$750.00
Remote Receiver PCB	\$275.00	\$150.00
Load Cell (500)	Contact Factory	\$600.00
Load Cell (2k)	\$800.00	\$600.00
Load Cell (5k)	\$800.00	\$600.00
Load Cell (10k)	\$1175.00	\$600.00
Front Casting Assembly	\$2250.00	\$600.00

MSI warrants all exchange parts against defects in workmanship and materials for a period of 90 days from date of purchase. Pending stock status, exchange parts can be ordered and shipped the same day, if ordered prior to 12:00 PM, Pacific Time.

Technical specifications subject to change without notice.
Prices suggested list F.O.B. MSI plant, Seattle, WA are subject to change without notice.

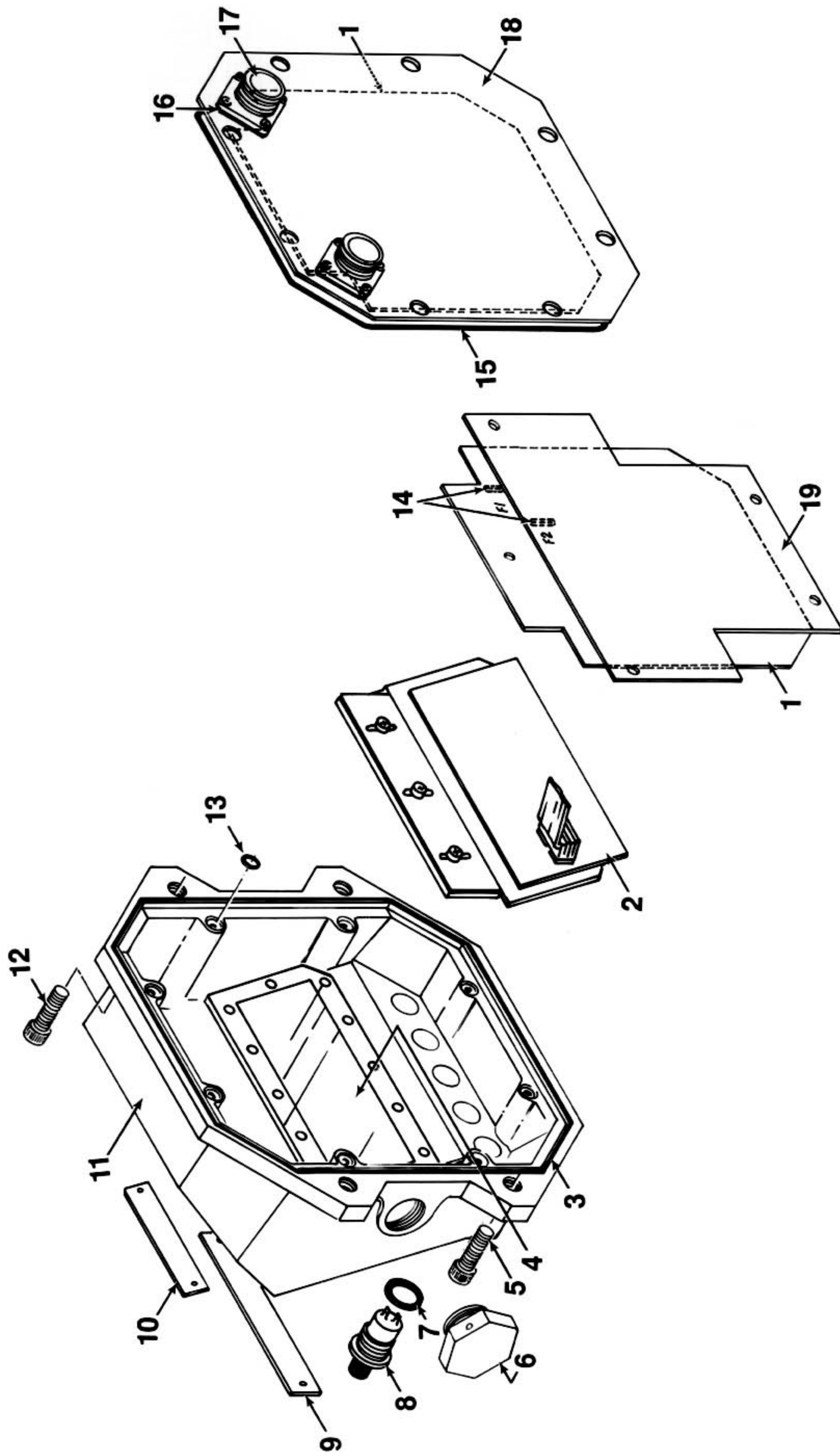
MSI-4260 Port-A-Weigh Front Casting Assembly

Replacement Parts Price List - Effective 4/04

Measurement Systems International

Item Number	Part Number	Description	List Price
1&2	D00552-xxxx	PCB, computer/diplay LCD sets only	1100.00
1&2	D00552-xxxx	PCB, computer/display, LED sets only	1100.00
3	B00424-0003	O-Ring	10.00
4	C00384-0001	Window	30.00
5	30038-0003	Screw, SH, 3/8-16 x 1, SS, drilled	13.50
6	B00430-0001	Plug, access port (silver)	40.00
6	B00430-0002	Plug, access port (black)	40.00
7	22000-2016	O-Ring	.50
8	36151-0007	Switch, red	35.00
8	36151-0008	Switch, black	35.00
9	C00385-0001	Label, switch ID (TARE UP/DN)	16.00
9	C00385-0003	Label, switch ID (ON/OFF, ZERO)	25.00
9	C00385-0004	Label, switch ID (TARE SET/CLR)	25.00
10	C00387-0001	Label, capacity, 500 lb/ 250 kg	30.00
10	C00387-0002	Label, capacity, 2,000 lb/ 1,000 kg	30.00
10	C00387-0003	Label, capacity, 5,000 lb/ 2,500 kg	30.00
10	C00387-0004	Label, capacity, 10,000 lb/ 5,000 kg	30.00
10	C00387-0005	Label, capacity, 20,000 lb/ 10,000 kg	30.00
10	C00387-0006	Label, capacity, 30,000 lb/ 15,000 kg	30.00
10	C00387-0007	Label, capacity, 50,000 lb/ 25,000 kg	30.00
10	C00387-0008	Label, capacity, 70,000 lb/ 35,000 kg	30.00
10	C00387-0009	Label, capacity, 100,000 lb/ 50,000 kg	30.00
11	D00546-0003	Casting	250.00
12	20810-0183	Screw, SH, 3/8-16 x 1, SS	1.00
13	22000-0009	O-Ring	.50
14	30575-0005	Fuse, 1/2 amp, 125V, axial, subminiature	3.50
15	B00424-0001	O-Ring	10.00
16	22200-0014	Gasket, connector	2.50
17	38412-KO6P	Connector	25.00
18	D00625-0001	Plate, mounting (marine)	350.00
19	C00433-0001	Plate, mounting (industrial)	65.00

xxxx Due to the large number of possible configurations of this assembly, please contact factory for assistance.



MSI-4260 PORT-A-WEIGH
FRONT CASTING ASSEMBLY
 Measurement Systems International
 14240 Interurban Avenue South STE 200
 Seattle, Washington 98168-4661 U.S.A.

MSI-4260 Port-A-Weigh Mid-Section Assembly 500 thru 10,000 lb

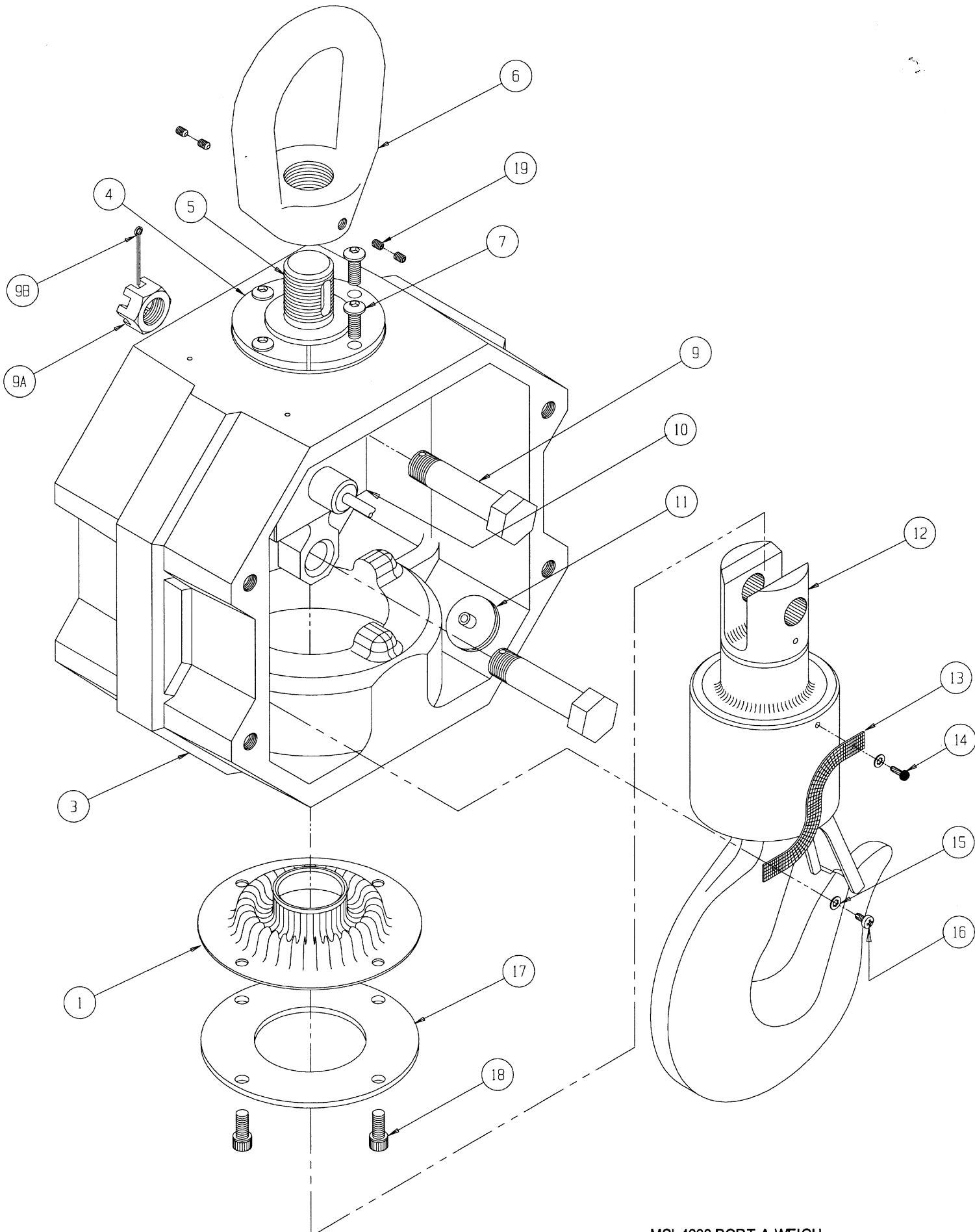
Replacement Parts Price List - Effective 4/04

Measurement Systems International

Item Number	Part Number	Description	List Price
1	B00410-0003	Seal	35.00
3	D00825-0100	Casting	295.00
4	500786-0100	Collar, top (2 pcs.)	20.00/ea
5	500783-0100	Link, upper	175.00
6	B00413-0002	Eye, lifting, 500/2,000 lb	125.00
6	500716-0100	Eye, lifting, 5,000/10,000 lb	125.00
7	20800-0120	Screw, BH, 1/4-20 x 5/8, SS	1.00
9	501290-0100	Bolt, clevis	15.00
9A	11458	Nut, hex	1.00
9B	11460	Cotter pin	1.00
10	C00401-0005	Load cell assembly, 500 lb (industrial)	factory quote
10	C00401-0001	Load cell assembly, 500 lb (marine)	factory quote
10	D00801-0004	Load cell assembly, 2,000 lb (industrial)	800.00
10	D00801-0012	Load cell assembly, 2,000 lb (marine)	825.00
10	D00801-0005	Load cell assembly, 5,000 lb (industrial)	800.00
10	D00801-0013	Load cell assembly, 5,000 lb (marine)	825.00
10	D00801-0006	Load cell assembly, 10,000 lb (industrial)	1175.00
10	D00801-0014	Load cell assembly, 10,000 lb (marine)	1210.00
11	23600-0001	Filter	5.00
12	500787-0001	Hook assembly, swivel, 500/2000 lb	725.00
	11906	Latch, safety (fits 500787-0001 hook w/hole)	25.00
	10767	Latch, safety (fits 500787-0001 hook)	20.00
12	500297-0001	Hook assembly, swivel, 5,000/10,000 lb	750.00
	11902	Latch, safety (fits 500297-0001 hook w/hole)	30.00
	22680-0002	Latch, safety (fits 500297-0001 hook)	25.00
13	B00514-0001	Ground strap	10.00
14	10669	Screw, drive, #6 x .25, SS	.50
15	20701-0004	Washer, internal tooth, 6-32	.50
16	20975-0027	Screw, PH, 6-32 x 1/4, Phil, SS	.50
17	500760-0100	Collar	35.00
18	20810-0120	Screw, SH, 1/4-20 x 5/8, SS	1.00
19	20950-0117	Screw set, 1/4-20 x 3/8, SS	.50

Technical specifications subject to change without notice.

Prices suggested list F.O.B. MSI plant, Seattle, WA are subject to change without notice.



MSI-4260 PORT-A-WEIGH
MID-SECTION ASSEMBLY 500 THRU 10,000 LB
 Measurement Systems International
 14240 Interurban Avenue South STE200
 Seattle, Washington 98168-4661 U.S.A.

MSI-4260 Port-A-Weigh Mid-Section Assembly 20 & 30,000 lb

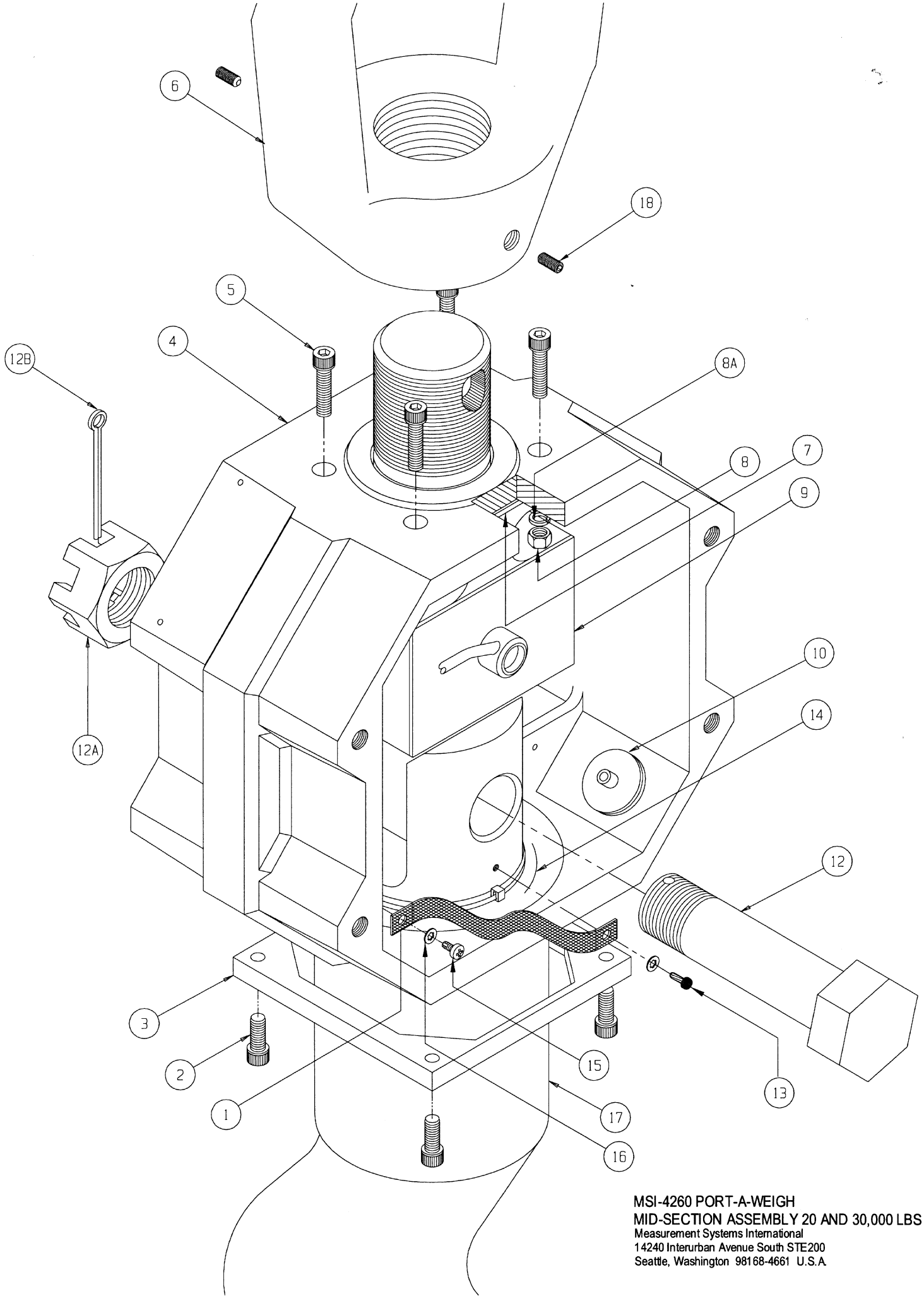
Replacement Parts Price List - Effective 4/04

Measurement Systems International

Item Number	Part Number	Description	List Price
1	B00514-0001	Ground strap	10.00
2	20810-0120	Screw, SH, 1/4-20 x 5/8, SS	1.00
3	C00410-0001	Collar, lower	95.00
4	D00826-0100	Casting	285.00
5	20810-0123	Screw, SH, 1/4-20 x 1, SS	1.00
6	500345-0100	Eye, lifting	300.00
7	C00436-0001	Seal	3.50
8	30017-0020	Nut, hex, 1/4-20, Nyloc SS	.50
8A	30016-0038	Washer split	.50
9	500359-0002	Load cell assembly	1500.00
10	23600-0001	Filter	5.00
12	501291-0100	Bolt	30.00
12A	11459	Nut	5.00
12B	10751	Cotter pin	1.00
13	10669	Screw, drive, #6 x .25, SS	.50
14	C00409-0001	Seal	50.00
15	20975-0027	Screw, PH, 6-32 x 1/4, Phil, SS	.50
16	20701-0004	Washer, internal tooth, #6, SS	.50
17	500729-0001	Hook assembly, swivel, 20,000 lb	1300.00
	11904	Latch, safety (fits 500729-0001 hook w/hole)	35.00
	10699	Latch, safety (fits 500729-0001 hook)	35.00
17	500729-0002	Hook assembly, swivel, 30,000 lb	1600.00
	11905	Latch, safety (fits 500729-0002 hook w/hole)	60.00
	10700	Latch, safety (fits 500729-0002 hook)	60.00
18	20950-0167	Screw set, 3/8-24 x 3/4, SS	1.00

Technical specifications subject to change without notice.

Prices suggested list F.O.B. MSI plant, Seattle, WA are subject to change without notice.



MSI-4260 PORT-A-WEIGH
MID-SECTION ASSEMBLY 20 AND 30,000 LBS
 Measurement Systems International
 14240 Interurban Avenue South STE200
 Seattle, Washington 98168-4661 U.S.A.

MSI-4260 Port-A-Weigh Mid-Section Assembly 50 & 70,000 lb

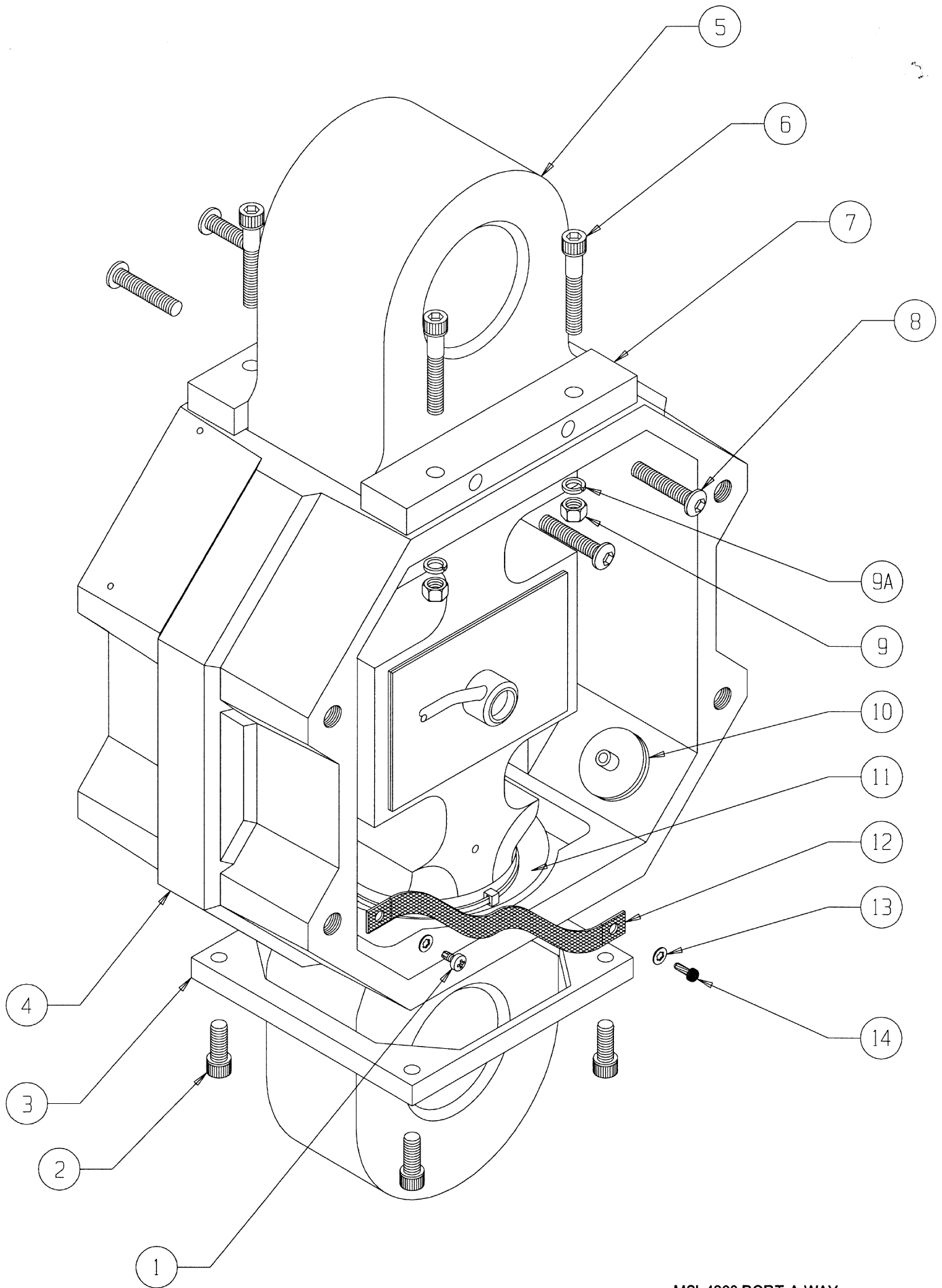
Replacement Parts Price List - Effective 4/04

Measurement Systems International

Item Number	Part Number	Description	List Price
1	20975-0027	Screw, PH, 6-32 x 1/4, Phil, SS	.50
2	20810-0120	Screw, SH, 1/4-20 x 5/8, SS	1.00
3	C00410-0001	Collar	95.00
4	D00826-0200	Casting	350.00
5	500624-0001	Load cell assembly	2375.00
6	20810-0126	Bolt, SH, 1/4-20 x 1-1/2, SS	1.00
7	500678-0100	Collar	75.00
7	C00416-0002	Collar (pre 1992 Only)	300.00
8	20800-0123	Screw, BH, 1/4-20 x 1, SS	1.00
9	30017-0020	Nut, hex, 1/4-20, SS	.50
9A	30016-0038	Washer split	.50
10	23600-0001	Filter	5.00
11	C00409-0001	Seal	50.00
12	B00514-0001	Ground strap	10.00
13	20701-0004	Washer, internal tooth, #6, SS	.50
14	10669	Screw, drive, #6 x .25, SS	.50
(not shown)	10540	Shackle, 25T, 50,000 lb	350.00
(not shown)	23650-0040	Shackle, 40T 70,000 lb	695.00
(not shown)	500782-0001	Hook, swivel, 50,000 lb	3325.00
	10744	Latch, safety (fits 500782-0001 hook)	70.00
(not shown)	500782-0002	Hook, swivel, 70,000 lb	4895.00
	10745	Latch, safety (fits 500782-0002 hook)	100.00

Technical specifications subject to change without notice.

Prices suggested list F.O.B. MSI plant, Seattle, WA are subject to change without notice.



MSI-4260 PORT-A-WAY
MID-SECTION ASSEMBLY - 50 & 70,000 LB
 Measurement Systems International
 14240 Interurban Avenue South STE200
 Seattle, Washington 98168-4661 U.S.A

MSI-4260 Port-A-Weigh Battery Casting Assembly

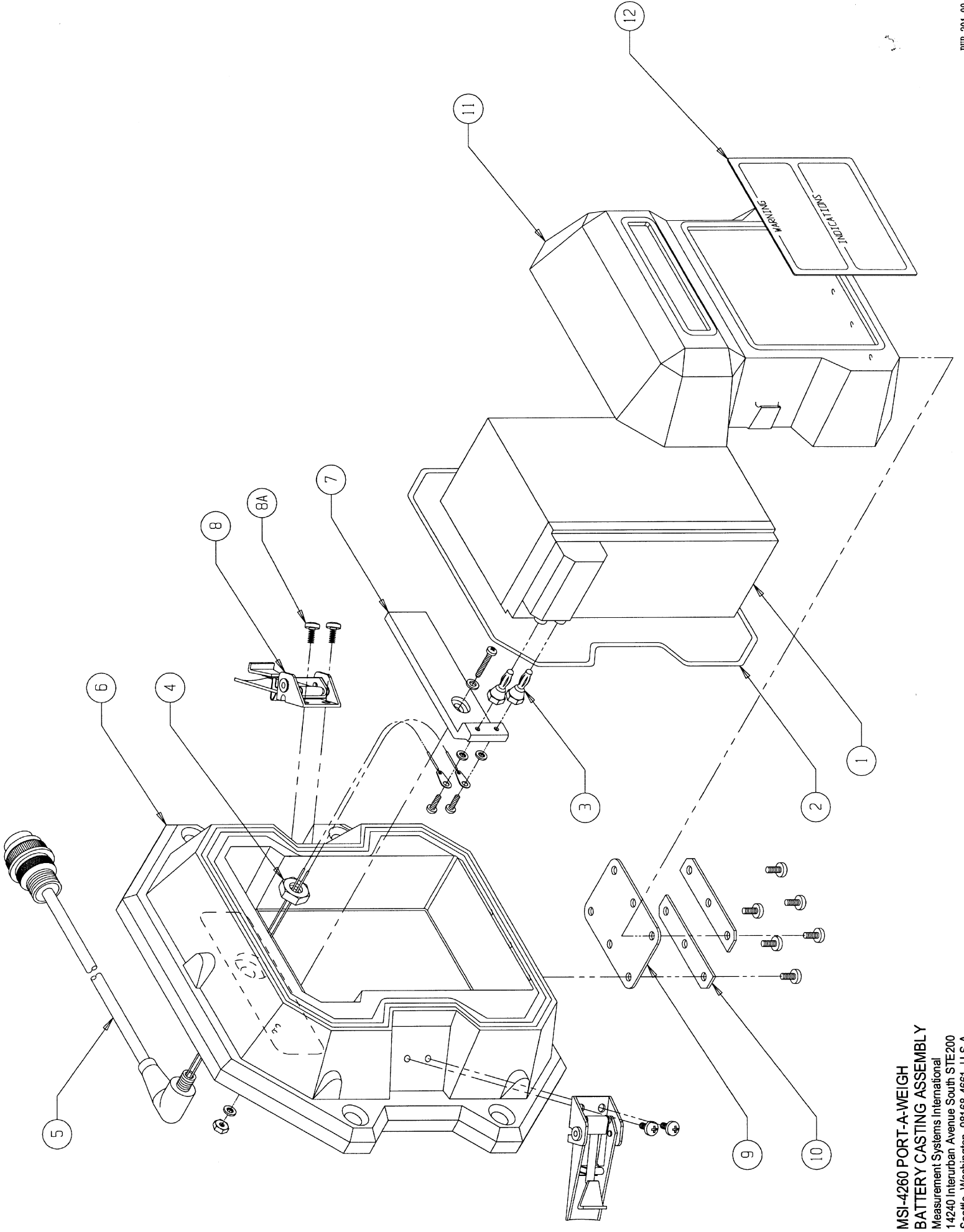
Replacement Parts Price List - Effective 4/04

Measurement Systems International

Item Number	Part Number	Description	List Price
1	D00559-0004	Battery assembly	95.00
2	B00424-0002	O-Ring	10.00
3	38920-0001	Plug, banana	3.50
4	30055-0004	Nut, jam, 5/16-24, hex, SS	.50
5	500016-0100	Cable assembly, power (industrial)	45.00
5	500016-0200	Cable assembly, power (marine)	100.00
6	D00824-0100	Casting	175.00
7	C00517-0001	Connector, battery	20.00
8	A00091-0100	Latch	30.00
8A	20975-0044	Screw	1.00
9	B00418-0002	Hinge, rubber	5.00
10	B00418-0001	Plate, hinge	10.00
11	D00823-0100	Casting	75.00
12	C00601-0100	Label	12.00

Complete Battery Casting Assembly

D00827-0001	Battery casting assembly (industrial)	425.00
D00827-0002	Battery casting assembly (marine)	475.00
D00762-400	Battery casting assembly, 115 or 230 VAC, 50/60 Hz	625.00



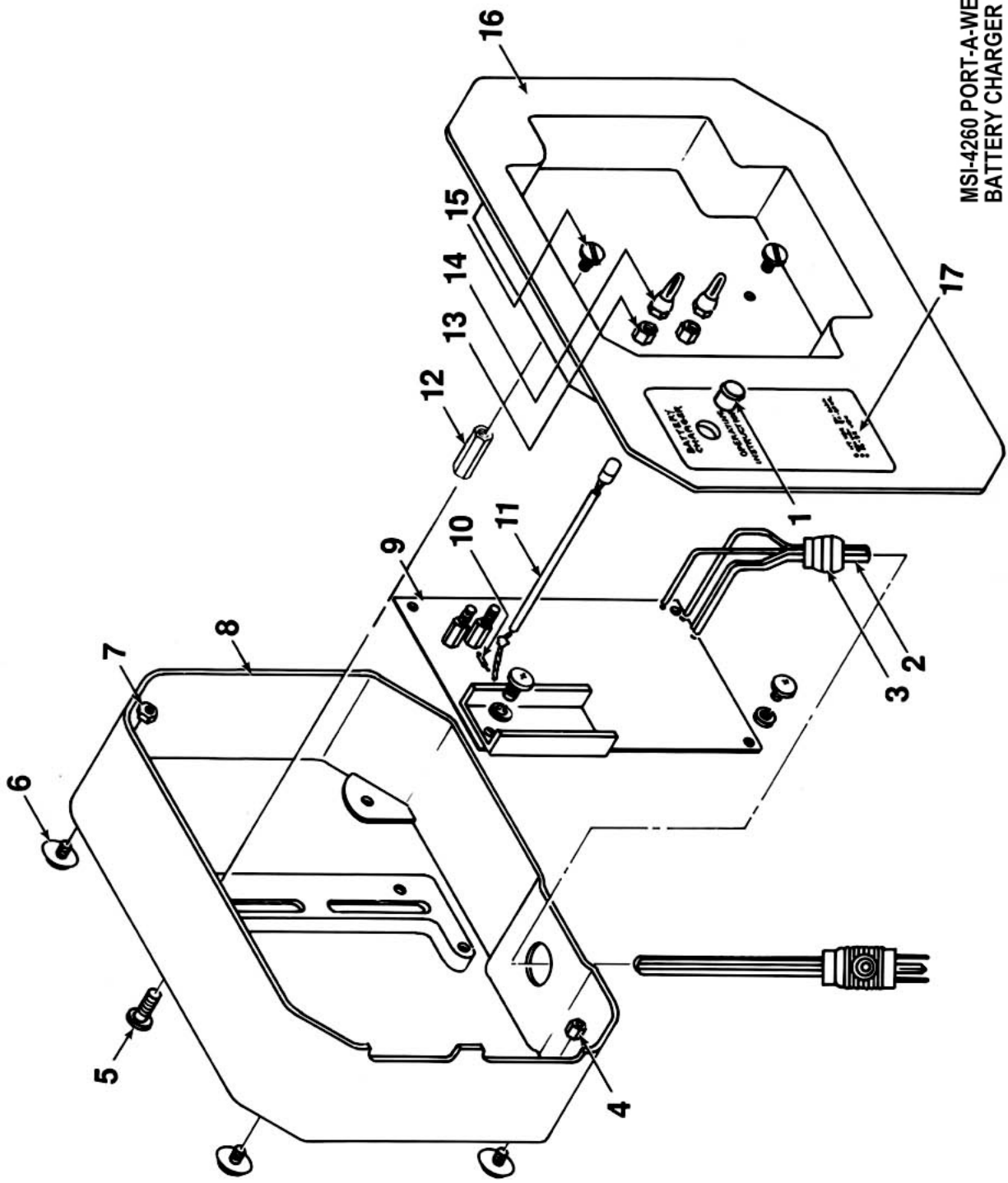
MSI-4260 PORT-A-WEIGH
BATTERY CASTING ASSEMBLY
 Measurement Systems International
 14240 Interurban Avenue South STE200
 Seattle, Washington 98168-4661 U.S.A.

MSI-4260 Port-A-Weigh Battery Charger Assembly

Replacement Parts Price List - Effective 4/04

Measurement Systems International

Item Number	Part Number	Description	List Price
1	23595-0001	Lens w/grommet (red)	5.00
2	B00425-0001	Cord, power	7.00
3	20060-0001	Strain relief	1.00
4	30042-0033	Spacer, threaded, 8-32 X 1/4, hex, alum	.50
5	30028-0263	Screw, PH, 10-32 x 3/8, Phil, SS	.50
6	22081-0001	Bumper	5.00
7	30017-0016	Nut, hex, 8-32, SS	.50
8	D00566-0001	Housing, 117 VAC	65.00
9	D00589-0003	PCB, charger, 117 VAC	215.00
9	D00589-0004	PCB, charger, 230 VAC	245.00
10		R10 (for reference only)	
11	37301-0014	Lamp (if R10 = 18 ohms)	7.00
11	37002-0001	LED, red (if R10 = 620 ohms)	7.50
12	21202-0001	Spacer, threaded, 10-32 x 9/16, hex, alum	2.00
13	21201-0024	Spacer, threaded, 6-32 X 1/4, hex, brass	2.00
14	38920-0001	Plug, banana	3.50
15	30026-0263	Screw, FH, 10-32 x 3/8, Phil, SS	1.00
16	D00566-0006	Housing	42.00
17	C00422-0001	Label	7.00
	502221-0001	Universal battery charger 115 /230 VAC, 50/60 Hz (North American plug configuration is standard, contact factory if alternate is required)	245.00



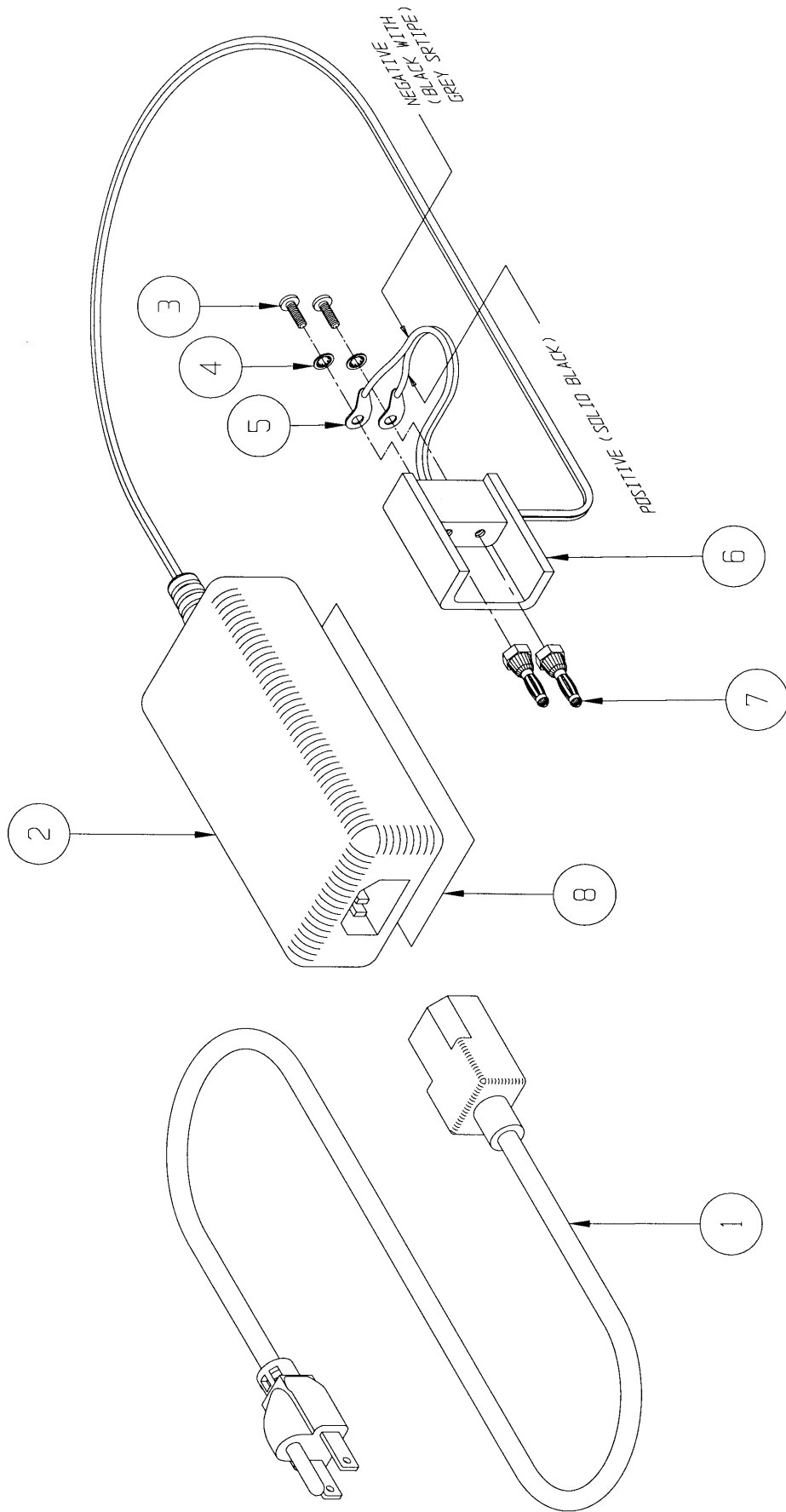
MSI-4260 PORT-A-WEIGH
BATTERY CHARGER ASSEMBLY
 Measurement Systems International
 14240 Interurban Avenue South STE 200
 Seattle, Washington 98168-4661 U.S.A.

MSI-4260 Port-A-Weigh Universal Battery Charger Assembly

Replacement Parts Price List - Effective 4/04

Measurement Systems International

Item Number	Part Number	Description	List Price
1	12747	Power cord, North America	25.00
1	12754	Power cord, United Kingdom (not shown)	25.00
1	12752	Power cord, European (not shown)	25.00
1	12753	Power cord, Australian (not shown)	25.00
2	12745	Universal power adapter	125.00
3	21000-0029	Screw, RH 6-32 x 3/8, Sltd., SS	.50
4	20701-0004	Washer internal tooth #6, SS	.50
5	10161	Lug, solder #6, copper	1.00
6	501932-0100	Housing battery plug	35.00
7	38920-0001	Plug, banana	3.50
8	502227-0100	Label, descriptive 12V	10.00
	502221-0001	Universal battery charger 115/230 VAC, 50/60 Hz (North American plug configuration is standard, contact factory if alternate is required)	245.00



MSI-4260 PORT-A-WEIGH
 UNIVERSAL BATTERY CHARGER
 Measurement Systems International
 14240 Interurban Avenue South STE200
 Seattle, Washington 98168-4661 U.S.A.

Shackle Dimensions

Replacement Parts Price List - Effective 4/04

Measurement Systems International

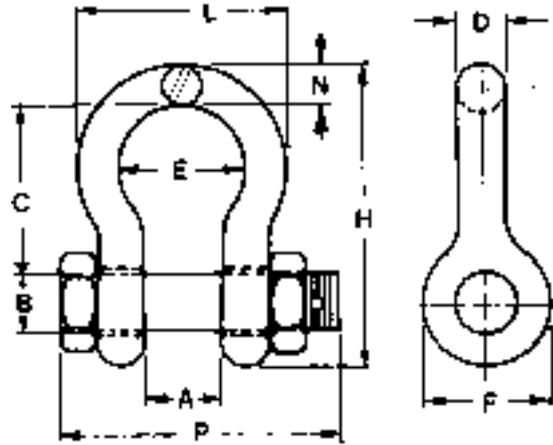
Part Number	W.L.L. Tons	Size	A	B	C	D	E	F	H	L	N	P	Weight (lbs)
10541	3 1/4	.63	1.06	.75	2.38	.63	1.69	1.56	4.22	2.94	.69	.63	1.58
10538	6 1/2	.88	1.44	1.00	3.31	.88	2.28	2.13	5.75	4.03	.97	5.00	3.95
10539	17	1.50	2.38	1.63	5.75	1.50	3.88	3.63	9.88	6.88	1.62	8.25	19.50
10540	25	1.75	2.88	2.00	7.00	1.75	5.00	4.32	11.88	8.50	2.12	9.59	31.30
23650-0030	30	1.50	2.38	1.63	5.75	1.50	3.88	3.63	9.88	6.88	1.62	8.25	20.80
23650-0040	40	1.75	2.88	2.00	7.00	1.75	5.00	4.32	11.88	8.50	2.12	9.59	33.91
23650-0050	55	2.00	3.25	2.25	7.75	2.00	5.75	5.00	13.38	9.75	2.00	11.00	51.75
23650-0110	110	3.00	5.00	3.25	13.00	3.00	7.88	6.50	21.50	14.50	3.63	16.50	178.00
23650-0175	175	4.00	5.50	4.25	14.50	4.00	10.00	9.00	25.69	18.38	4.56	19.75	338.00

Oversized Shackles

501386-0100	40	1.75	2.88	2.00	10.00	1.75	6.00	4.32	15.00	9.50	1.75	9.00	45.00
501082-0100	40	2.25	2.88	2.00	13.50	2.25	8.00	4.32	17.85	12.50	2.25	10.00	90.00
501083-0100	50	2.00	3.25	2.25	12.25	2.00	8.00	5.00	17.00	12.00	2.00	11.00	72.00

Shims

30013-0112 (For use with 50K/70K ton shackles)





"We Weigh Quality First"

 **Measurement Systems International**

14240 Interurban Avenue South STE 200
Seattle, Washington 98168-4661 U.S.A.
Phone: 206-433-0199 • Fax: 206-244-8470
Web: www.msiscales.com • Email: info@msiscales.com